

Pneumatic Dampers optimizes the extraction

In industry, manual dampers are often used in the ventilation process and in worst case no dampers are used at all.

This means that many extraction points are open though the machines are not in use, which means low extraction at all extraction points, high energy consumption and an unnecessarily high wear on dust extractors and fans.

On existing extractor installations, in most cases there can be a much better extraction simply by installing automatic dampers. In this way you might avoid costly expansions or change of dust collectors and fans.

At new installations, you can also reduce costs for dust collectors and fans, this by using automatic dampers instead of manual dampers. Further, the efficiency becomes correctly optimized when the dampers are closed while the machines are not in use.

By installing automatic dampers at each extraction point, the working environment increases while the total need of extraction minimizes. Costs of, for example energy consumption, service, maintenance and cleaning then becomes reduced.



Magnetic sensor



Magnetic valve



Micro switch



Micro switch



Asseccesories



Damper blade cover

Straight edge



Pull ring edge



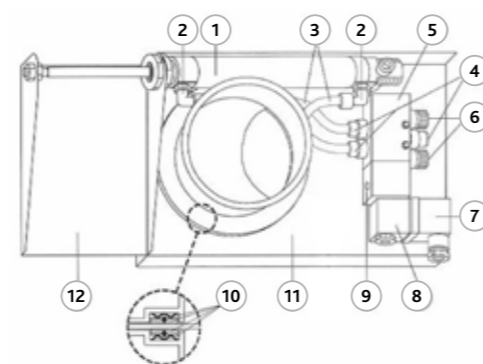
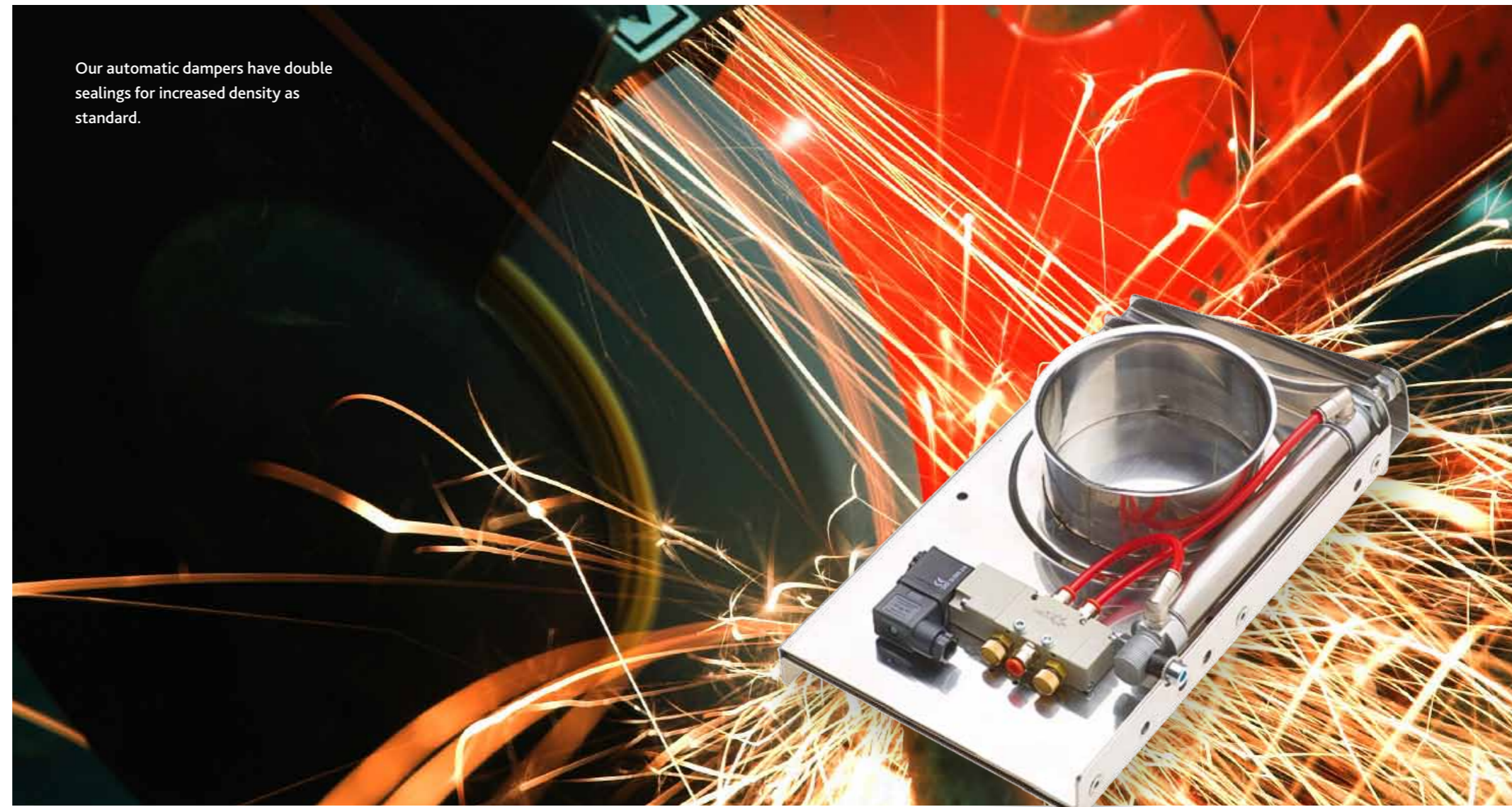
Round edge



Flange



Our automatic dampers have double sealings for increased density as standard.



- | | |
|---|--|
| 1 Pneumatic cylinder | 7 Cable terminal |
| 2 Rotating angel connection
1/8" – 6 mm hose | 8 Coil 230V AC or 24V AC/DC
(other voltages available on request) |
| 3 Hose 6 mm | 9 Screw for manual operation of magnetic valve |
| 4 Connection 1/8" – 6 mm hose | 10 Sealings |
| 5 Magnetic valve | 11 Damper housing |
| 6 Silencer/adjustment | 12 Damper blades |

- Energy saving
- Better working environment
- Complete with micro switch or magnetic sensor
- Affordable with a high security of operation

A quality check is made of components at each received delivery to ensure the final assembly. When dampers are assembled, a 100% system control is made to assure the functionality. All this is done according to specifications in Lajac's premises.

© No material in this catalog may be reproduced or transmitted in any form without the written consent of Lajac AB, Sweden.

With our long experience in process ventilation in general, and dampers in particular, our products are guaranteed to keep high duty safety, quality and tightness.

Our automatic dampers are available for most types of industries. Typical applications are extraction of wood shavings, dust, oil mist and production waste.